



California Faucets®

9511

Rough for Floor Mount Tub Filler (for use with 0911-XX, 1011-XX, 1111-XX, 1211-XX, 1311-XX, 1403-XX, 8511-XX, 8611-XX, & 7711-XX)

Installation Instructions

CALIFORNIA FAUCETS RECOMMENDS THAT ALL PLUMBING PRODUCTS BE INSTALLED BY A LICENSED PROFESSIONAL

IMPORTANT: Read all instructions prior to installation and provide copy of instructions to consumer.

DISCLAIMER: To conform to many local codes and/or ordinances, it may be required that this product be installed in conjunction with an approved tempering valve.

Operating Specifications:

Recommended Supply Pressure: 20 to 70 psi[†]

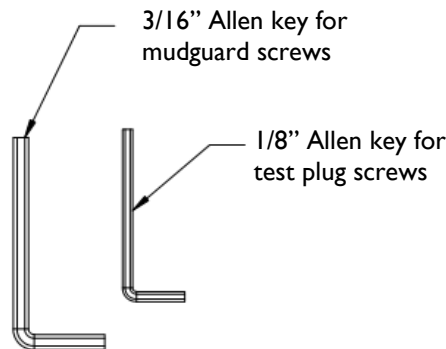
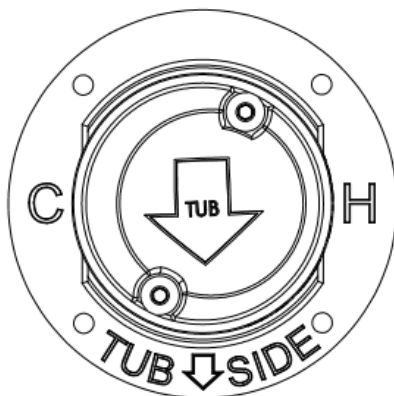
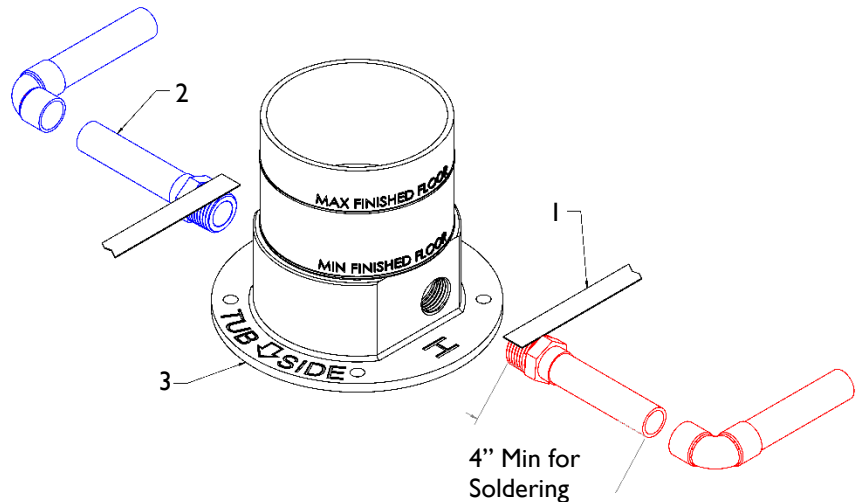
* Operating pressures between hot and cold supplies should vary no more than 30 psi.

† If water pressure exceeds 70 psi, install a Pressure-Reducing Valve (RPV).

I PREPARING SUPPLY NIPPLES

Important: It is the responsibility of the **INSTALLER** to refer to the various installation methods shown in steps 2 or 4 to determine proper rigid copper PIPES (2a) lengths.

- Pre-assemble FITTINGS (2) prior to attaching to ROUGH (3)
- Apply TEFLON TAPE (1) onto threads of FITTING (2) and tighten into ROUGH (3). No more than 3 wraps to male threads of FITTING (2)
- Attach "COLD" INLET to COLD SUPPLY and "HOT" INLET to HOT SUPPLY. All soldering of FITTINGS (2) shall be performed a minimum of 4" away from ROUGH (3)



2

INSTALLING IN WOOD FLOOR

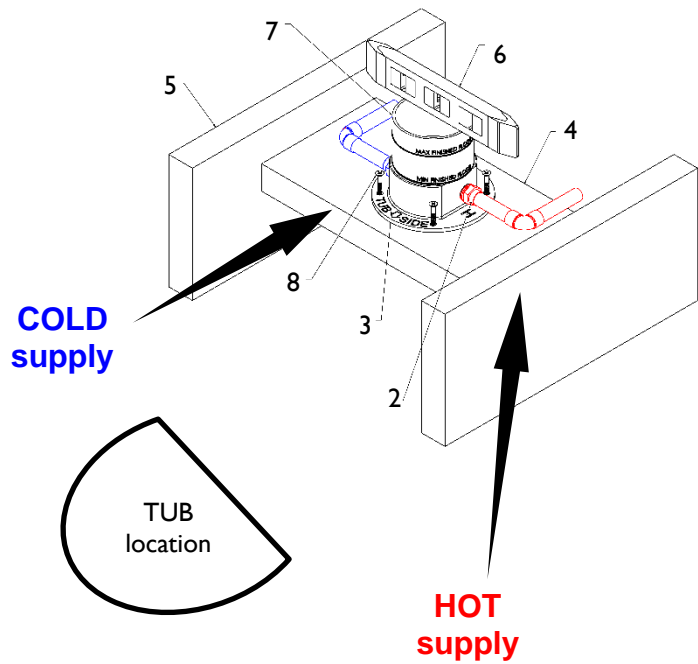
- Determine location of tub & faucet prior to proceeding

Important: It is the responsibility of the **INSTALLER** to ensure that the floor rough is properly secured to all sub-floor construction. All local building and plumbing codes and/or ordinances, shall be followed to confirm proper secure installation.

- After determining tub location preparing the floor is necessary to properly support the ROUGH (3) by using 2 x 8 wood cross as a MOUNTING SURFACE (4) which are attached floor JOIST (5)

Important: It is the responsibility of the **INSTALLER** to have some knowledge of finished floor thickness before proceeding.

- Use a LEVEL (6) to properly level the ROUGH (3) and SUPPORT (4) in all directions; vertical height of ROUGH (3) is determined by using the MIN/MAX finished floor marks on MUDGUARD (7)
- Verify that FITTING (2) attached to ROUGH (3) has clearance to make connections; adjust if necessary
- Use four wood SCREWS (8), not supplied, to secure the ROUGH (3) to SUPPORT (4). Required screw dimensions $\text{Ø}1/4'' \times 1-1/4''$ min length
- Connect water supply to preassembled FITTINGS (2) and check for leaks

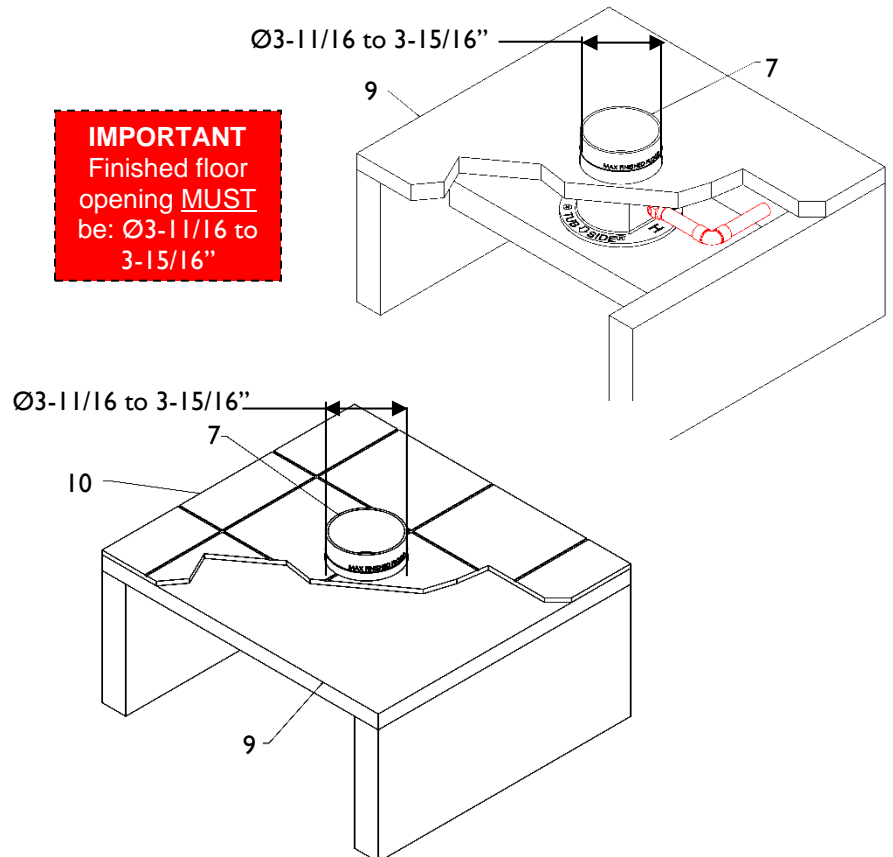


3

FINISHED FLOORING (on wood)

Important: It is the responsibility of the **INSTALLER** to have some knowledge of finished floor thickness before proceeding.

- Apply top floor SUBSTRATE (9) around MUDGUARD (7), the through hole shall be $\text{Ø}3-11/16''$ to $3-15/16''$ diameter
- Apply top floor COVERING (10) (e.g. tile, stone, etc...) to floor SUBSTRATE (9)
- Finished floor COVERING (10) must fall between the MIN/MAX marks on MUDGAURD (7) for proper installation of Floor Mounted Tub Filler Faucet



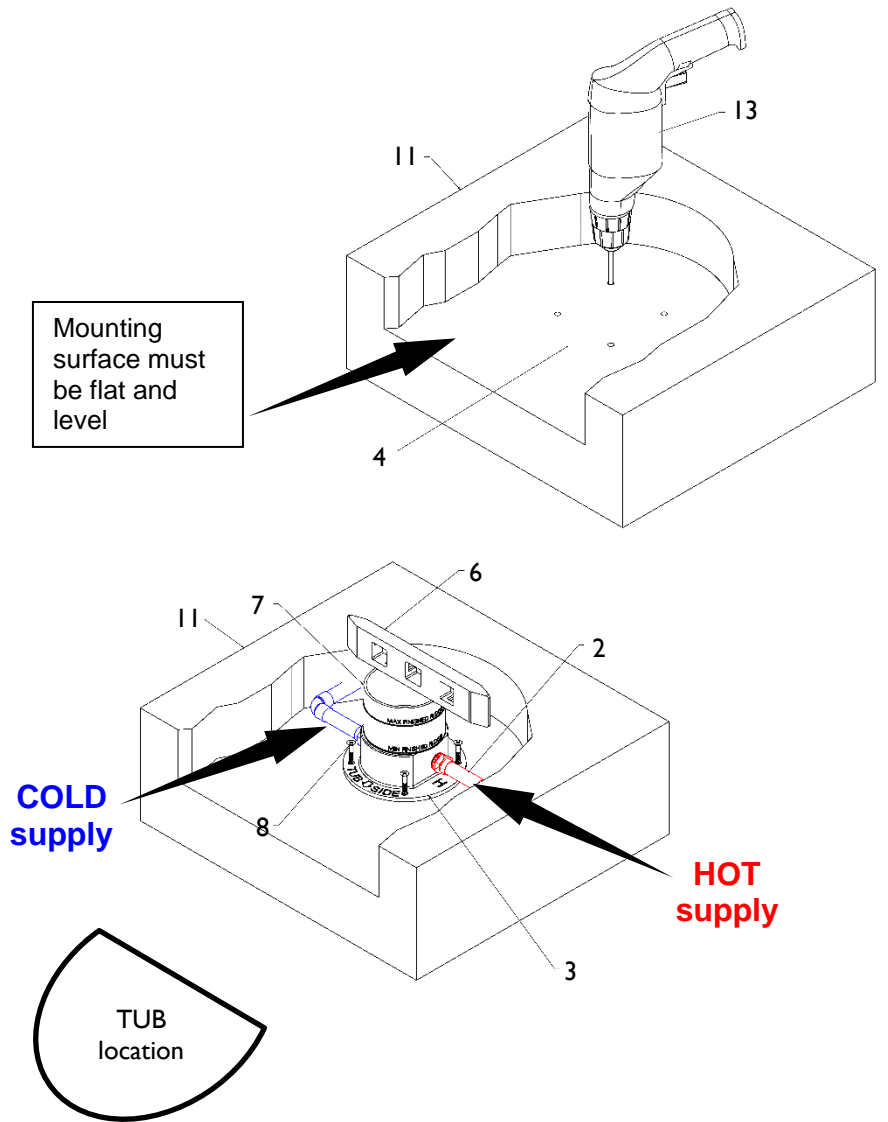
4 INSTALLING IN CONCRETE

- Determine location of tub & faucet prior to proceeding

Important: It is the responsibility of the **INSTALLER** to ensure that the floor rough is properly secured to all sub-flooring construction. All local building and plumbing codes and/or ordinances, shall be followed to confirm proper secure installation.

Important: It is the responsibility of the **INSTALLER** to have some knowledge of finished floor thickness before proceeding.

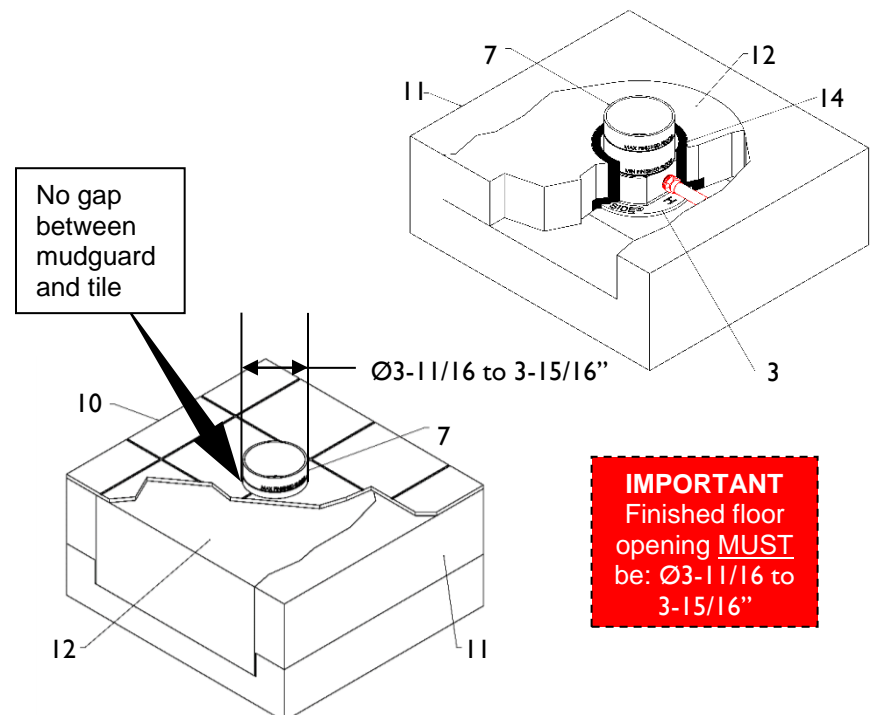
- Create a concrete MOUNTING (4) surface that is flat, level, and the correct depth below the surrounding concrete TOP (11) surface
- Determine the height of MOUNTING (4) surface by using the MIN/MAX finished floor marks on the MUDGUARD (7)
- Use ROUGH (3) as a template to mark drill hole locations
- Verify FITTINGS (2) attached to ROUGH (3) will have clearance to make connections; adjust if necessary
- Determine type of concrete SCREWS (8) or bolt necessary, not provided, and follow screw manufacturer's instructions. Required screw dimensions $\varnothing 1/4"$ X 1-1/4" min length
- Use four concrete SCREWS (8) to secure the ROUGH (3) to MOUNTING (4) surface
- Connect water supply to preassembled FITTINGS (2) and check for leaks



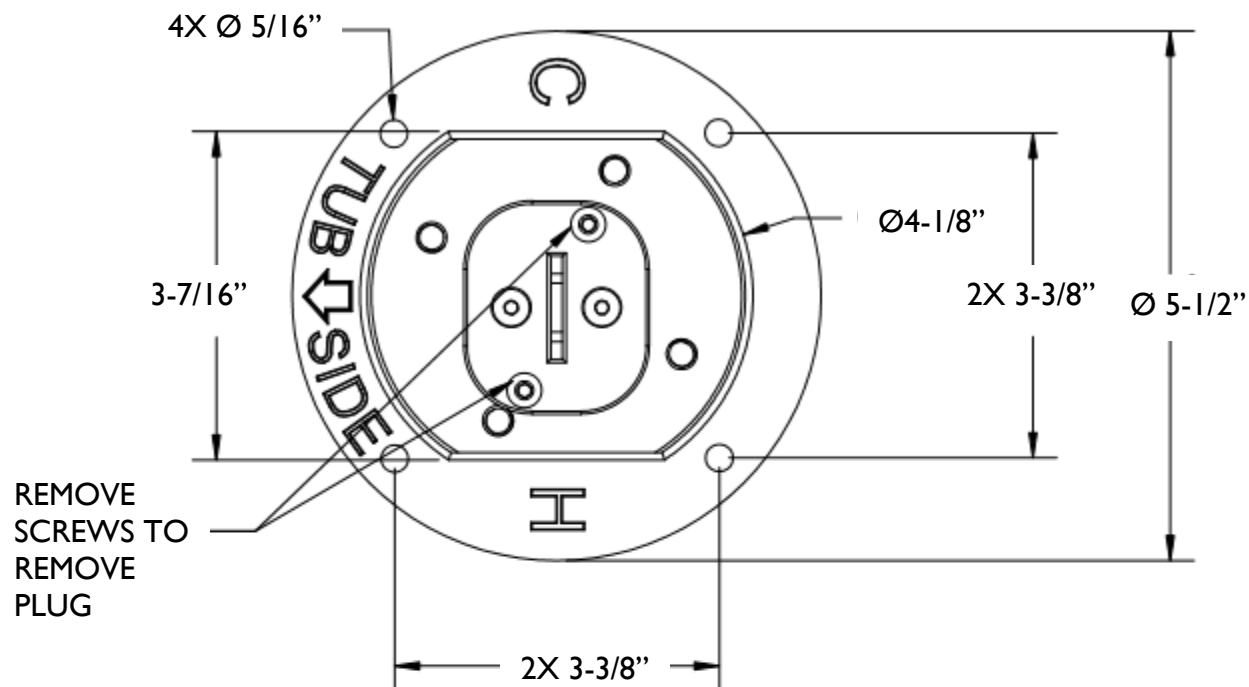
5 FINISHED FLOORING (on concrete)

Important: It is the responsibility of the **INSTALLER** to have some knowledge of finished floor thickness before proceeding.

- Cover ROUGH (3) with a LINER (14). Pour concrete FILLER (12) around MUDGUARD (7) encasing ROUGH (3) and filling to surrounding TOP (11) surface. (Liner not provided)
- Apply top floor COVERING (10) (e.g. tile, stone, etc...) onto concrete FILLER (12) and surrounding TOP (11) surface
- Finished floor COVERING (10) must fall between the MIN/MAX marks on MUDGAURD (7) for proper installation of Floor Mounted Tub Filler Faucet

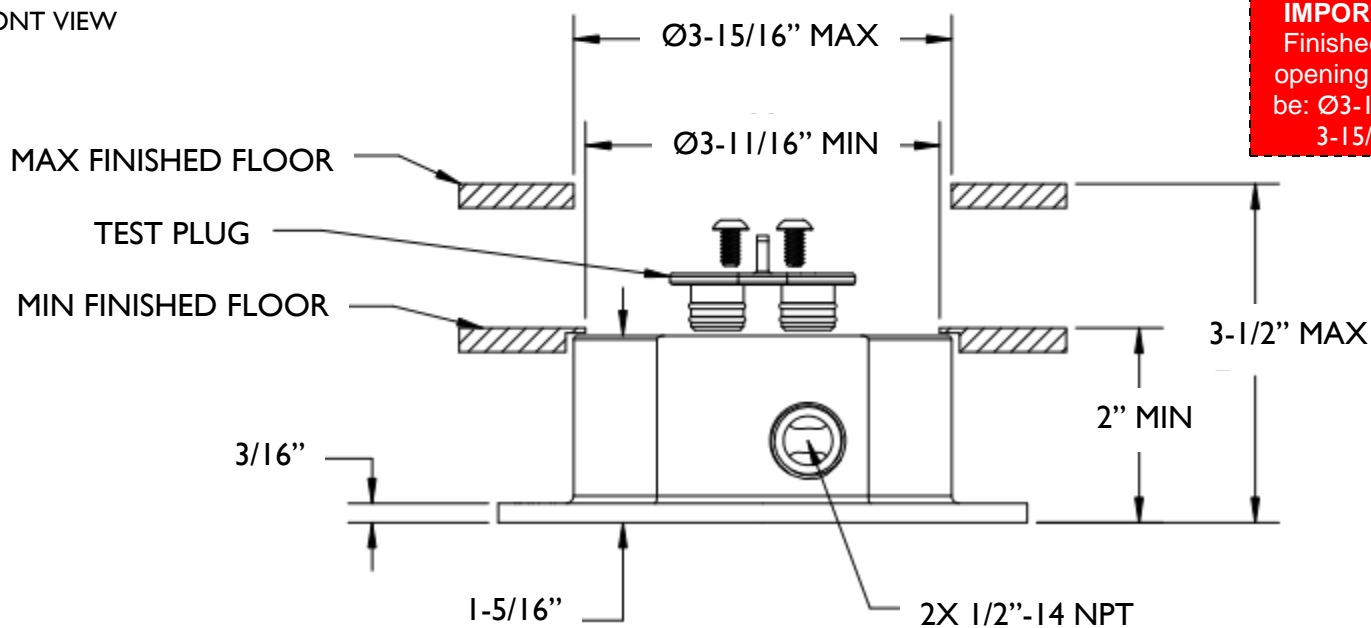


ROUGH-IN DIMENSIONS



TOP VIEW

FRONT VIEW



IMPORTANT
Finished floor opening MUST
be: Ø 3-11/16 to
3-15/16"